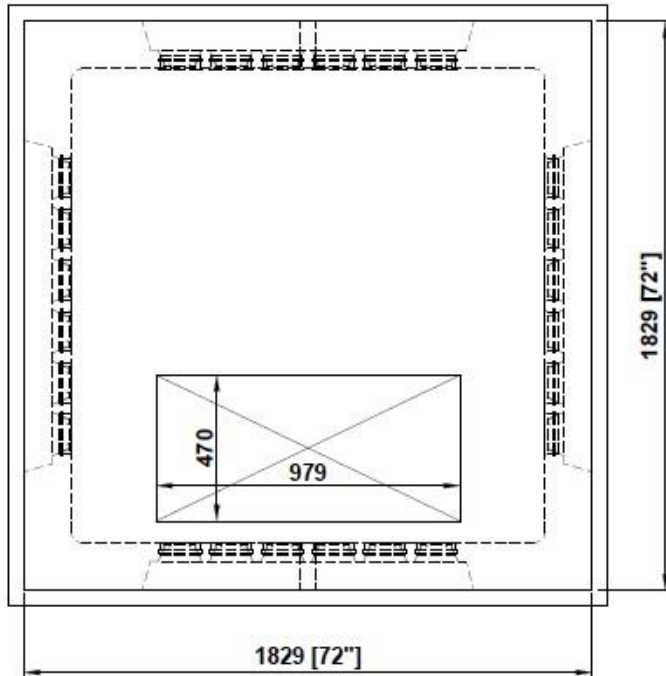
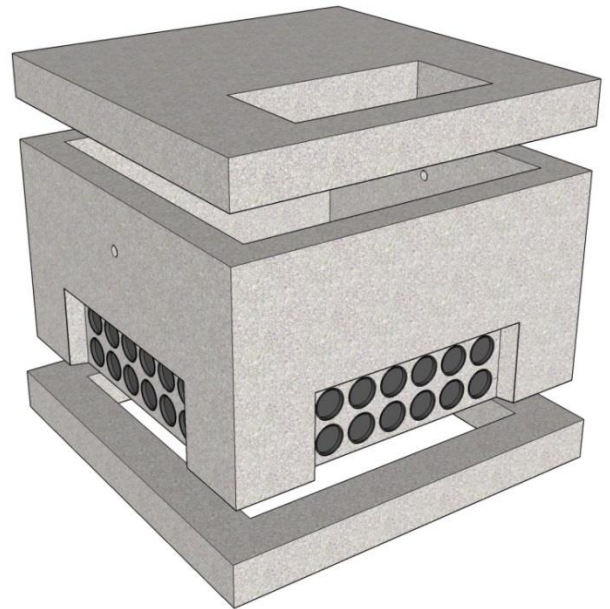
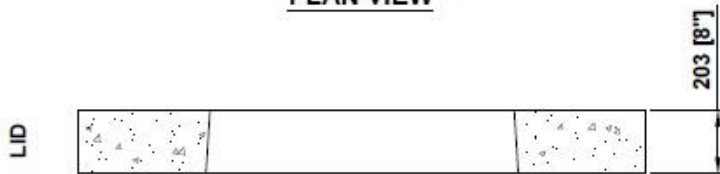


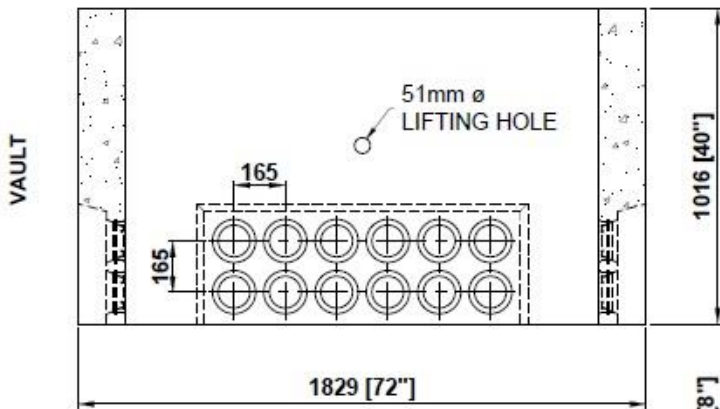
FOR UP TO 1200 KVA  
TRANSFORMER



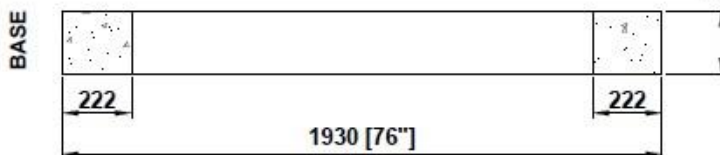
PLAN VIEW



LID



VAULT



BASE

SIDE VIEW

- NOTES:**
- (4) - Recessed Duct Banks w/ LD-1 PVC Seal Duct Entry Knockouts
  - Concrete: 30 MPa [min.] Air Entrained [5 - 8%]
  - Reinforcement: 10M Rebar & 4x4x4/4 WWF
  - 51mmØ Lifting Holes
  - Base Thickness: 203mm [8"]
  - Lid Thickness: 203mm [8"]
  - Wall Thickness: 152mm [6"]
- LID Weight: 1 400 kg [3 085 lbs]  
 VAULT Weight: 1 996 kg [4 400 lbs.]  
 BASE Weight: 742 kg [1 635 lbs.]
- OPTIONAL SOLID BASE AVAILABLE**  
 Weight: 1 814 kg [4 000 lbs.]