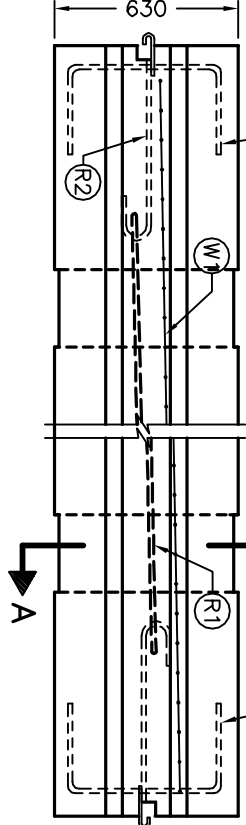


ELEVATION

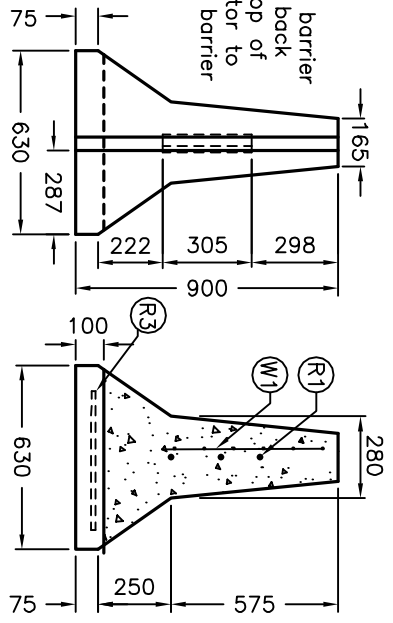


PLAN

REINFORCING STEEL BARS			
BAR SIZE	GRADE	TYPE	LENGTH
R1 15M	400W	Deformed	3200
R2 15M	400W	Deformed	814
R3 10M	400W	Deformed	1080
W1	152X152 MW18.7XMMW18.7 (456X3810)		

NOTES:

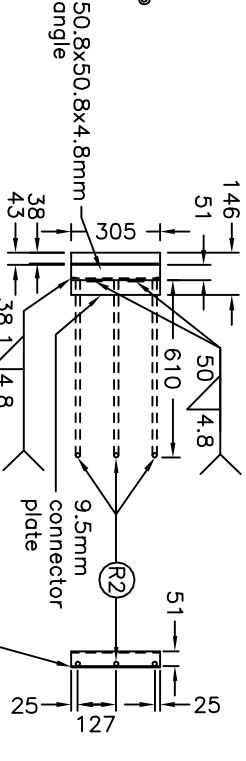
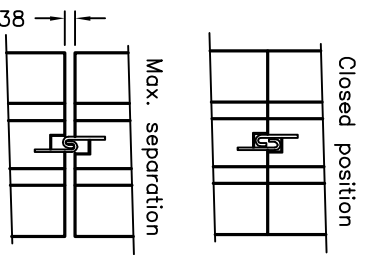
- 1 Minimum horizontal radius shall be 31m.
  - 2 Drainage openings. Temporary concrete barriers manufactured prior to September 2009 with one 600mm long x 100mm high drainage opening are acceptable.
  - 3 JJ Hook Connection is proprietary to Easi-Set Industries Inc.
- A System configuration meets NCHRP Report 350 TL-3.  
B Concrete cover 50mm minimum.



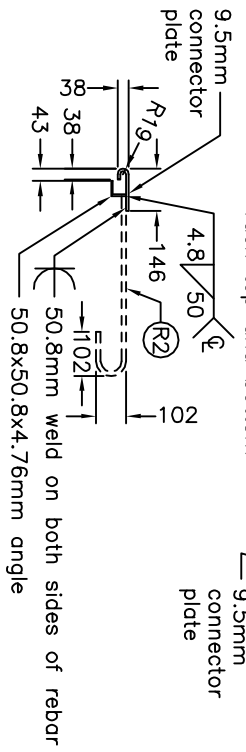
END ELEVATION

SECTION A-A

End of barrier sloped back from top of connector to top of barrier



BARRIER TO BARRIER CONNECTION



Type J Connection Detail, Note 3

- C All concrete edges shall have 15x45° chamfers.
- D Welds shall be according to CSA W59.
- E All dimensions are in millimetres unless otherwise shown.

ONTARIO PROVINCIAL STANDARD DRAWING

**GUIDE RAIL SYSTEM, CONCRETE BARRIER**

**TYPE J CONNECTION, 4m LENGTH**

**INSTALLATION—TEMPORARY**

Nov 2013 Rev 0



OPSD 911.150